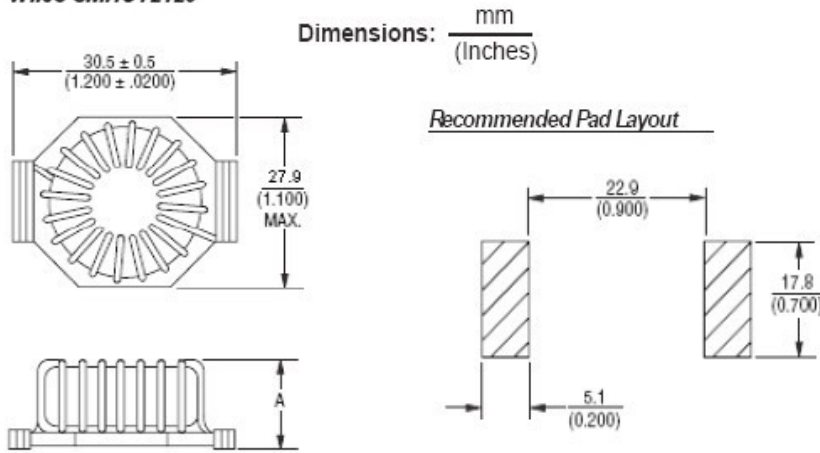




SURFACE MOUNT HIGH CURRENT TOROID SMHCT2120

Wilco SMHCT2120



Wilco Part Number	L(uH)	DCR	IDC(Amps)		Dim A Max mm (in)
	+/-20%	mOhms	DC	To Decrease L	
	@ 1Khz	Max	Amps	By 30%	
SMHCT2120-1R0M-LF	1	2	25400	34400	20.83/(0.82)
SMHCT2120-1R2M-LF	1.2	2	25400	39200	20.83/(0.82)
SMHCT2120-1R5M-LF	1.5	3	22000	35600	20.83/(0.82)
SMHCT2120-1R8M-LF	1.8	3	22000	32900	20.83/(0.82)
SMHCT2120-2R2M-LF	2.2	3	19700	29500	20.83/(0.82)
SMHCT2120-2R7M-LF	2.7	3	19700	26300	20.83/(0.82)
SMHCT2120-3R3M-LF	3.3	4	18000	34000	20.83/(0.82)
SMHCT2120-3R9M-LF	3.9	4	18000	21800	20.83/(0.82)
SMHCT2120-4R7M-LF	4.7	5	16600	20000	20.83/(0.82)
SMHCT2120-5R6M-LF	5.6	5	15600	18200	20.83/(0.82)
SMHCT2120-6R8M-LF	6.8	6	14700	16700	20.83/(0.82)
SMHCT2120-8R2M-LF	8.2	6	14700	15100	20.83/(0.82)
	+/-10%				
SMHCT2120-100K-LF	10	7	13900	13700	20.83/(0.82)
SMHCT2120-120K-LF	12	8	12700	12600	20.83/(0.82)
SMHCT2120-150K-LF	15	9	12200	11000	20.83/(0.82)
SMHCT2120-180K-LF	18	9	11800	10400	20.83/(0.82)
SMHCT2120-220K-LF	22	11	11000	9230	20.83/(0.82)
SMHCT2120-270K-LF	27	12	10400	8330	20.83/(0.82)
SMHCT2120-330K-LF	33	13	10100	7540	20.83/(0.82)
SMHCT2120-390K-LF	39	14	9600	6980	20.83/(0.82)
SMHCT2120-470K-LF	47	19	8200	6300	20.07/(0.79)
SMHCT2120-560K-LF	56	21	7900	5740	20.07/(0.79)
SMHCT2120-680K-LF	68	29	6700	5290	19.56/(0.77)
SMHCT2120-820K-LF	82	32	6400	4840	20.10/(0.87)
SMHCT2120-101K-LF	100	35	6100	4320	20.10/(0.87)
SMHCT2120-121K-LF	120	39	5800	3940	20.10/(0.87)
SMHCT2120-151K-LF	150	43	5500	3560	20.10/(0.87)
SMHCT2120-181K-LF	180	47	5300	3220	21.08/(0.83)
SMHCT2120-221K-LF	220	52	5000	2930	21.08/(0.83)
SMHCT2120-271K-LF	270	72	4200	2660	19.81/(0.78)
SMHCT2120-331K-LF	330	100	3600	2500	19.81/(0.78)
SMHCT2120-391K-LF	390	108	3500	2180	21.59/(0.85)
SMHCT2120-471K-LF	470	119	3300	2000	21.59/(0.85)
SMHCT2120-561K-LF	560	130	3200	1820	21.59/(0.85)
SMHCT2120-681K-LF	680	142	3000	1670	21.59/(0.85)
SMHCT2120-821K-LF	820	157	2000	1510	21.59/(0.85)
SMHCT2120-102K-LF	1000	215	2500	1370	20.83/(0.82)

Features

High current up to 25.4 amps
Low magnetic radiation
SMD

Electrical

1uH to 1000uH

Tolerance 1uH to 8.2uH 20%
10uH to 1000uH 10%

Operating Temp. -55 C to 105 C

Storage Temp. -55 C to 105 C

Temp Rise T=30 C typical at rated IDC

Resistance to Solder Heat

Solder Temp 260 C 10 sec max

Physical

Packaging Bags/cartons
Marking EIA Inductance Code

Wilco Corporation 5352 West 79th Street Indianapolis IN 46268

800-611-2343 Fax 317-228-9340 wilcosales@wilcocorp.com

www.wilcocorp.com