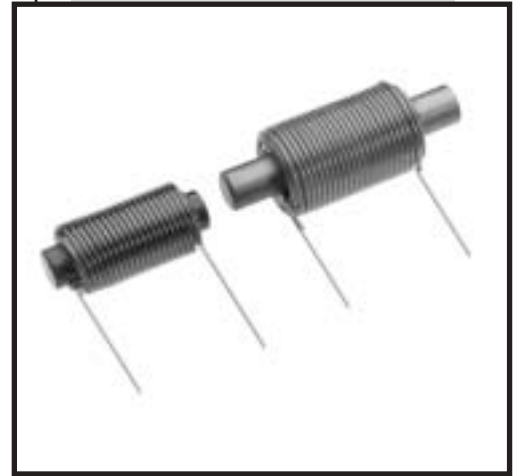
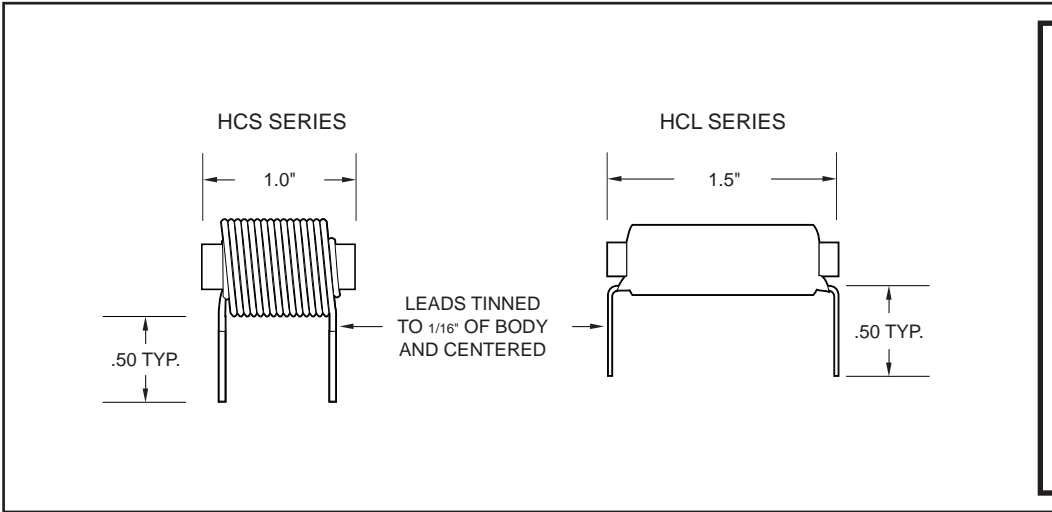


# HCS / HCL Series Ferrite Rod Hash Chokes



Wilco Part Number	L (uH)	R.D.C. Ohms Max	Rated Current Suggested Max (amps)	Lead Spacing Typ.	Lead Dia. Nom.	Body Dia. Max.
HCS 100	10	.016	10.00	.260	.050	.590
HCS 200	20	.017	11.00	.560	.050	.590
HCS 300	30	.021	11.00	.610	.050	.590
HCS 500	50	.043	7.00	.625	.039	.550
HCS 101	100	.086	6.00	.750	.030	.550
HCS 151	150	.107	5.00	.565	.030	.600
HCS 201	200	.140	4.00	.620	.030	.600
HCS 251	250	.184	4.00	.750	.030	.600
HCL 101	100	.061	8.00	1.143	.050	.590
HCL 201	200	.110	6.00	1.103	.039	.550
HCL 301	300	.140	5.00	1.145	.030	.550
HCL 401	400	.167	4.00	.775	.030	.600
HCL 501	500	.192	4.00	.880	.030	.600
HCL 601	600	.237	4.00	1.080	.030	.600
HCL 701	700	.257	4.00	1.115	.030	.600
HCL 801	800	.291	4.00	1.285	.030	.600

L = +/- 15% @ 1KHz measured with zero D.C. current

## FEATURES

- Compact size and pretinned leads for fast and easy PCB insertion

### Options Available:

- Intermediate values
- Shrink tube sleeving
- Formed leads
- Tight "L" tolerances

## APPLICATIONS

- Filters for switching regulators
- SCR & Triac control circuits
- Power supplies
- Hash filters
- RF circuits

## Wilco Corporation

6451 Saguaro Ct.  
Indianapolis, IN 46268  
Hotline 800•611•2343  
Fax 317•293•9462  
www.wilcocorp.com