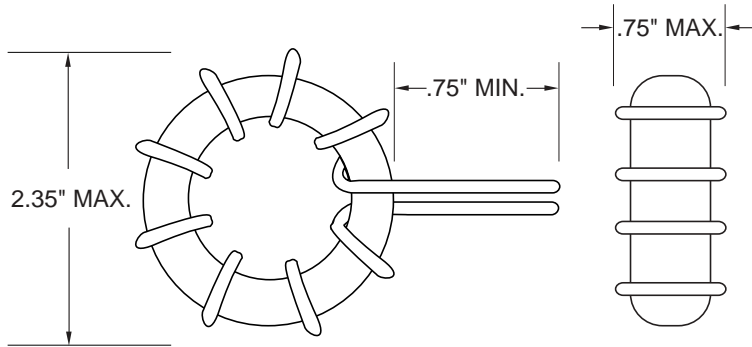


# ITL Series Toroidal Inductors



Wilco Part Number	L uH	Rdc Max (OHMS)	I Max AC Amps	Saturation Current DC Amps	Lead Dia. Inches
ITL100	10	.02	21.76	10.94	.0812
ITL250	25	.03	21.76	6.92	.0812
ITL500	50	.04	13.7	4.89	.0644
ITL101	100	.15	8.6	3.46	.0511
ITL251	250	.69	5.41	2.19	.0405
ITL501	500	.02	21.76	7.65	.0812
ITL102	1000	.03	21.76	5.41	.0812
ITL252	2500	.09	13.7	3.42	.0644
ITL502	5000	.17	8.6	2.42	.0511
ITL103	10000	.22	5.41	1.71	.0405

## FEATURES

- Large power toroidal inductors wound with ferrite and iron material
- The toroidal configuration provides a closed magnetic field resulting in low EMI

## APPLICATIONS

- switching power supplies
- Filter chokes
- output chokes
- EMI/RFI filtering

- Inductance is measured at 1 KHz 0 amps DC
- Operating temp is -55 degrees C to 100 degrees C
- Saturation current lowers L by 10%

- L for ITL 100-ITL251 is +/-15%
- L for ITL501-ITL103 is +/-20%
- ITL100-ITL251 wound on iron core
- ITL501-ITL103 wound on ferrite core
- Nonstandard values available

## Wilco Corporation

6451 Saguro Ct.  
Indianapolis, IN 46268  
Hotline 800•611•2343  
Fax 317•293•9462  
www.wilcocorp.com